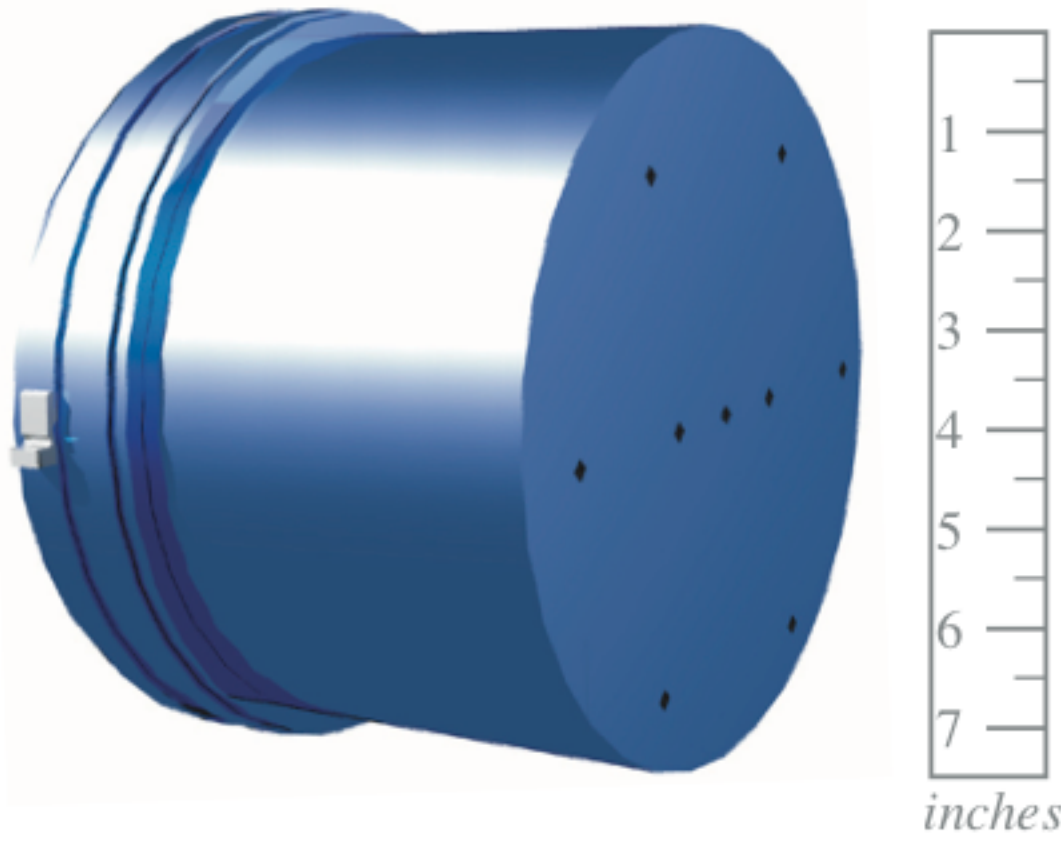


Model ITC-3001

High Power Directional Transducer

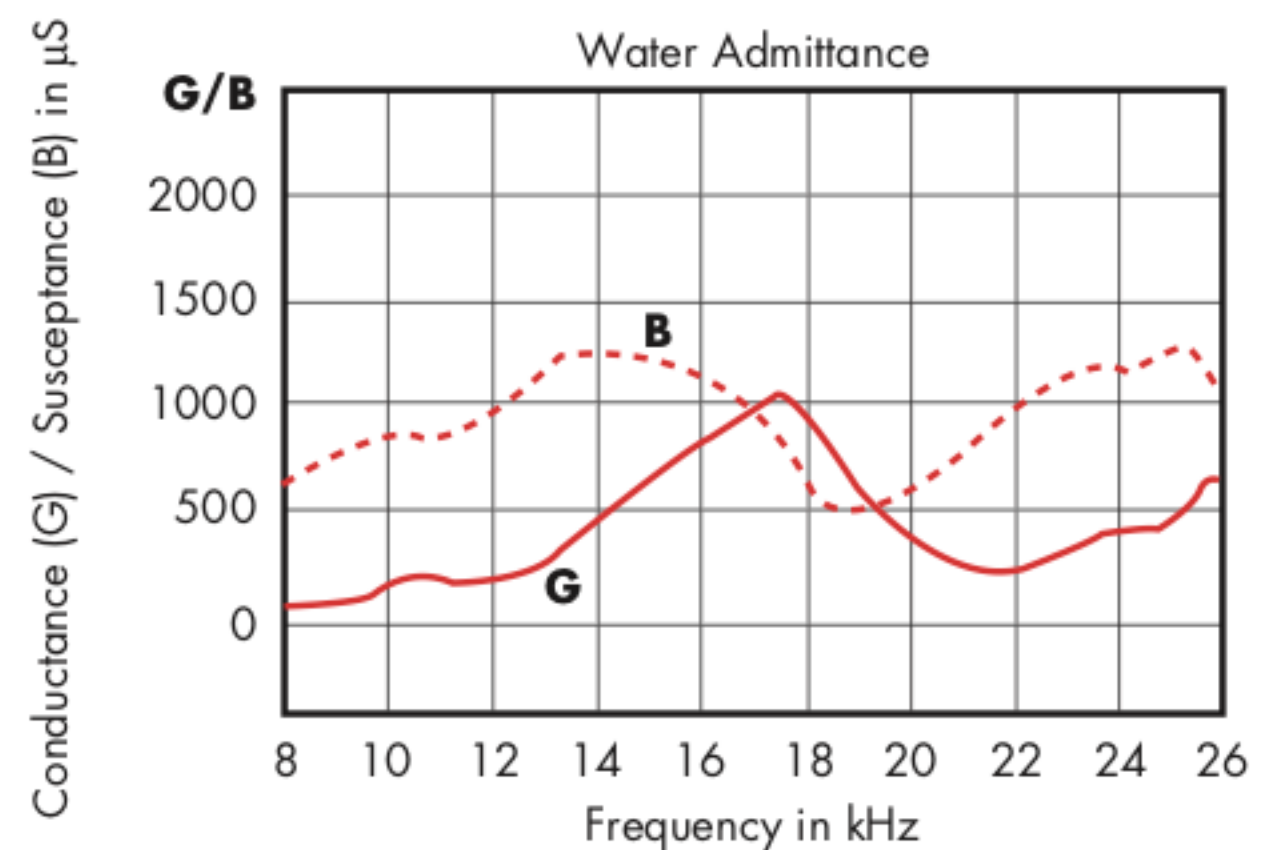
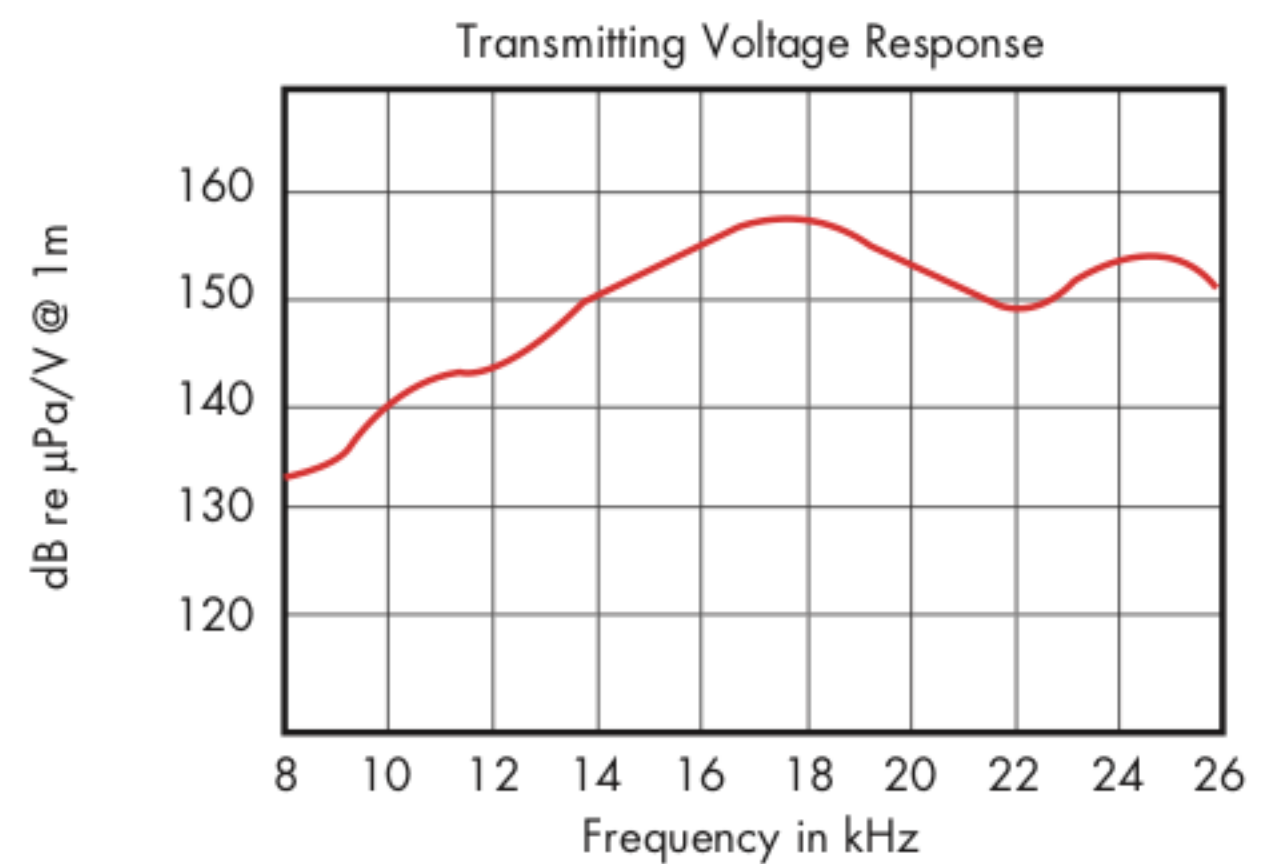
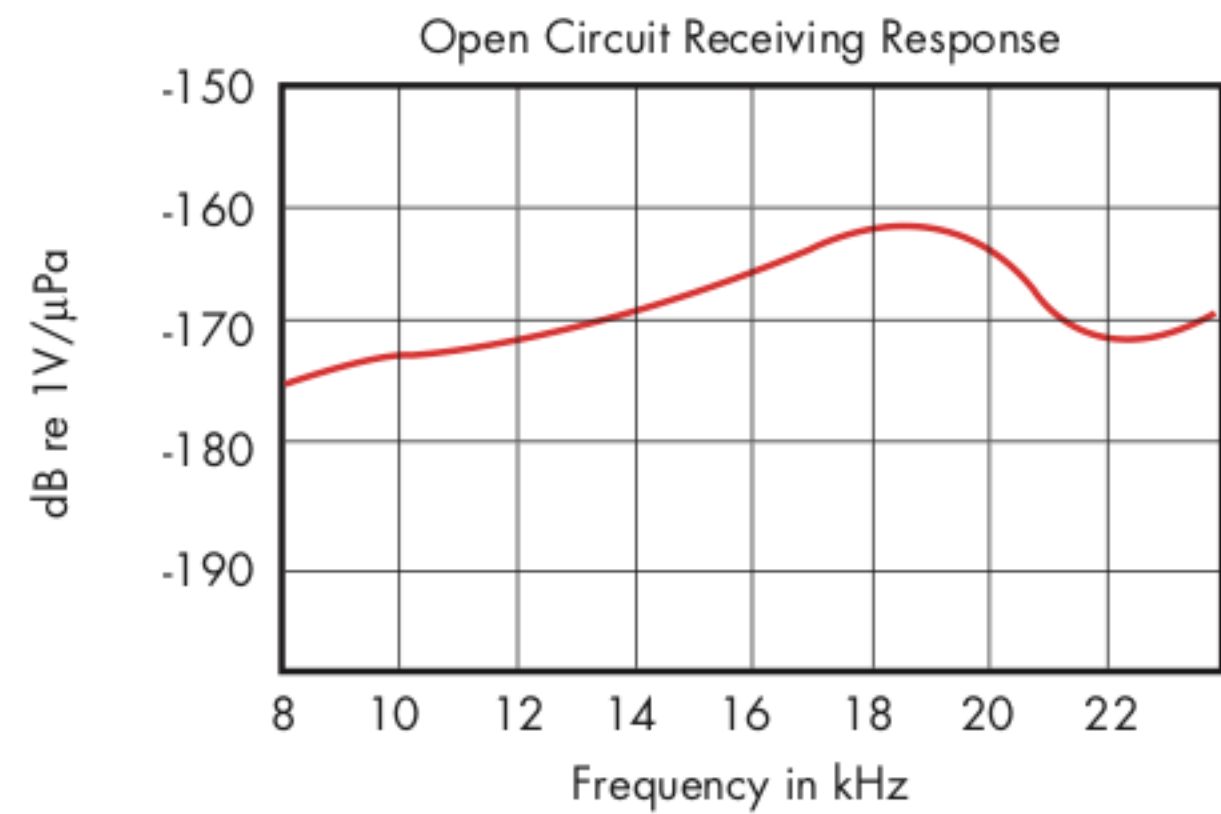
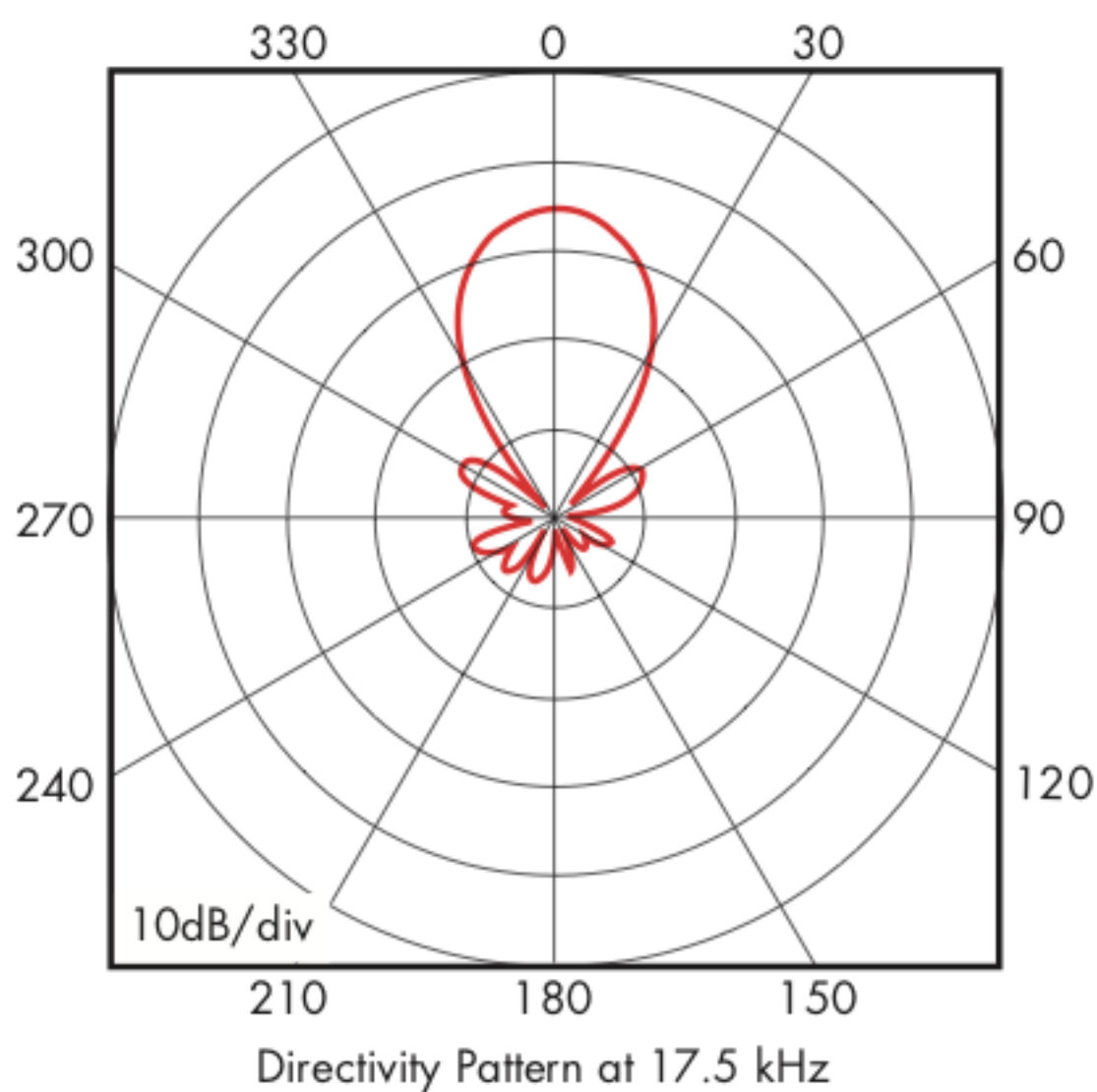
Model ITC-3001

The **Model ITC-3001** has a unique design capable of high acoustic power transmission within a relatively narrow beam. It can be obtained in a lightweight version for short-term submerged applications, or a heavier version for long life. This transducer is particularly well suited for deep ocean acoustic navigation or echo ranging systems where high source levels are required.



Specifications (Nominal)

Resonance Frequency f_r	17.5 kHz
Depth	Unlimited
Envelope Dimensions (in.)	8.5D x 6.3H
TVR at f_r	157 dB// μ Pa/V@1m
Beam Width	25 deg
(-3dB) at f_r	
Beam Type	Conical
Input Power	2,000 watts



Brent.Febo@Gavial.com
805-357-2522
www.GavialITC.com

Gavial ITC
869 Ward Drive
Santa Barbara, CA 93111