

Model ITC-1180

PASSIVE
HYDROPHONE

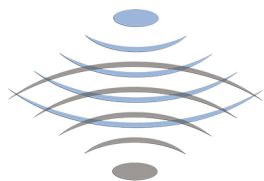
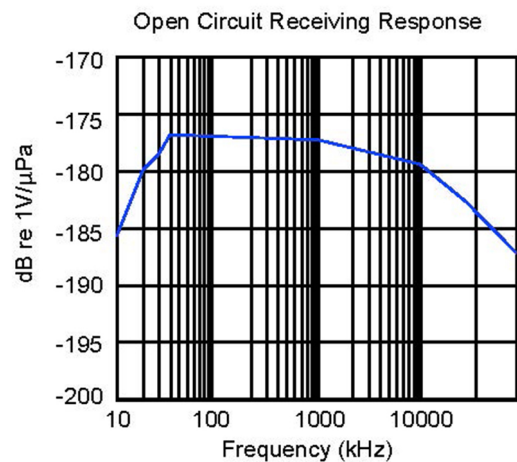
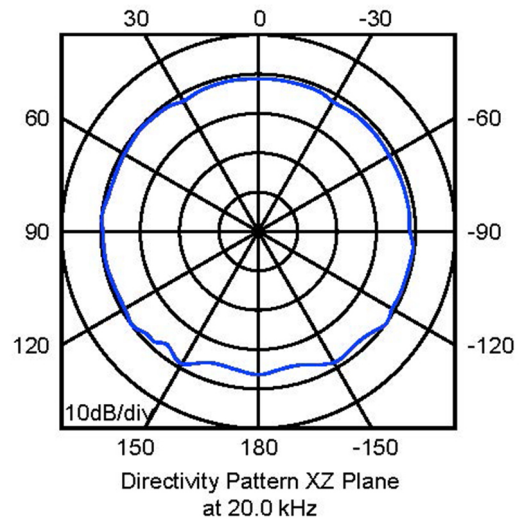
Model ITC-1180

The Model ITC-1180 spherical transducer offers broadband omnidirectional transmitting and receiving response with efficiencies of over 50%. This transducer is fabricated of Channelite-5400 lead zirconate titanate ceramic and is particularly well suited for noise sources as a broadband hydrophone and applications where an omnidirectional response is required.



SPECIFICATIONS (NOMINAL)

Type: Hydrophone W/Preamplifier
Operating Frequency: 20 Hz - 20,000 Hz
Depth Rating: 12,000 feet
Receive Sensitivity: >-180 dB re 1V/uPa
(across freq. band)
Preamplifier Gain: 25 dB
Power in, Current: 12 - 24 VDC @ 15mA
Beam Pattern (X-Y Plane): Omni (+/- 1.0 dB)
Beam Pattern (X-Z Plane): Omni (+/- 3.0 dB) @ right
Output Configuration: Single ended @ 50 Ohms
Cal Input Active: @ +5 Vdc + ac signal
Gain through Cal Input: 0 dB



Gavial ITC

869 Ward Dr. Santa Barbara, CA. 93111
805-357-2522
www.gavial.com/itc